



CWK-4PB 系列温度控制器:



产品概述

CWK-4PB 系列双金属片温控器，是一款专门针对汽车空调压缩机起到保护作用而开发的温控器，与常规温控器具有相同功能，且体积小，成本低。

产品特性

- 支架安装或螺丝安装
- 电线引出可以设置任何连接器
- 感温部件具有快速跳脱性能
- 精确的动作温度，快速切断电源
- 每款零件均严格执行 ROHS 及 REACH 的环保标准

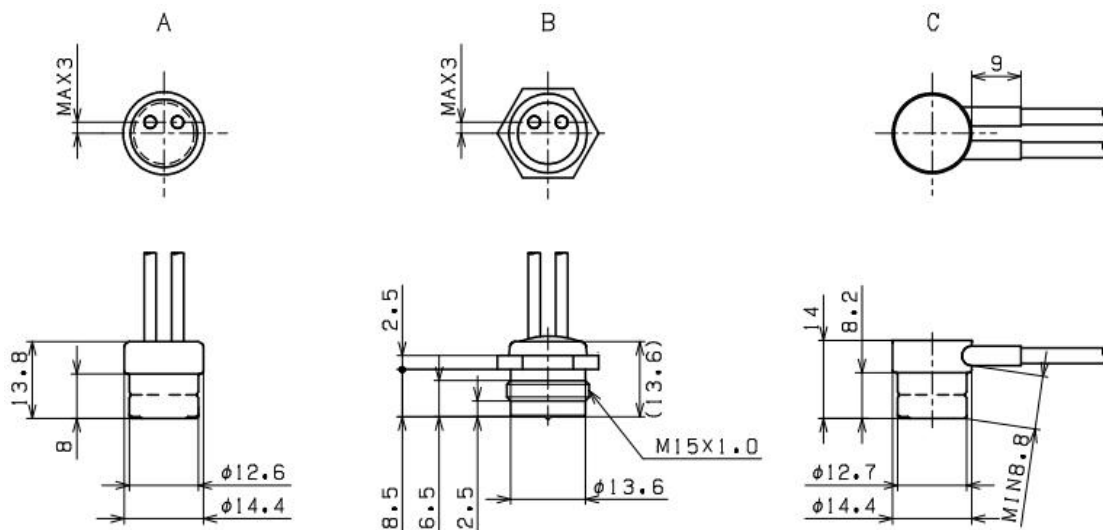
技术参数

电流电压	DC 12V/5A
动作温度	160℃ 以下
公差	15℃ 以上
温度公差	±5℃
耐久性	额定载荷超过 10000 次
耐电压	500V/1 分 或 600V/1 秒
绝缘电阻	50MΩ 以上 (DC500V)
接触电阻 *	100mΩ 以下
耐热性	150℃

* 接触电阻不包含导线电阻

应用范围

- 汽车空调压缩机





CWK-4PB Series Thermostat



Product overview

CWK-4PB is designed for protection of automotive air conditioner compressor from overheating. The compact design provides better installation flexibility. Most of compressor manufacturers commonly use it

Features

- There are two mounting options: a holder mounting type, such as using a stay bar, and a screw-mounting type.
- With the lead-wire-pulled-out type adopted, any connector can be setup.

- Two types of contact connection are available: Clutch cut-off type and ECM circuit type.

Technical Characteristics

Electrical Rating	DC12/5A
Operating Temp.	Any temperature up to 160°C can be specified.
Differential	15deg or more
Tolerance	±5°C
Service Life	10,000 cycles at rated load
Dielectric Strength	500V/1min or 600V/1sec
Insulation Resistance	50MΩ or more (DC 500V)
Contact Resistance *	Less than 100mΩ
Heat Resistance	150°C

* Wire resistance is not include.

Application

- Automotive air conditioner compressors

